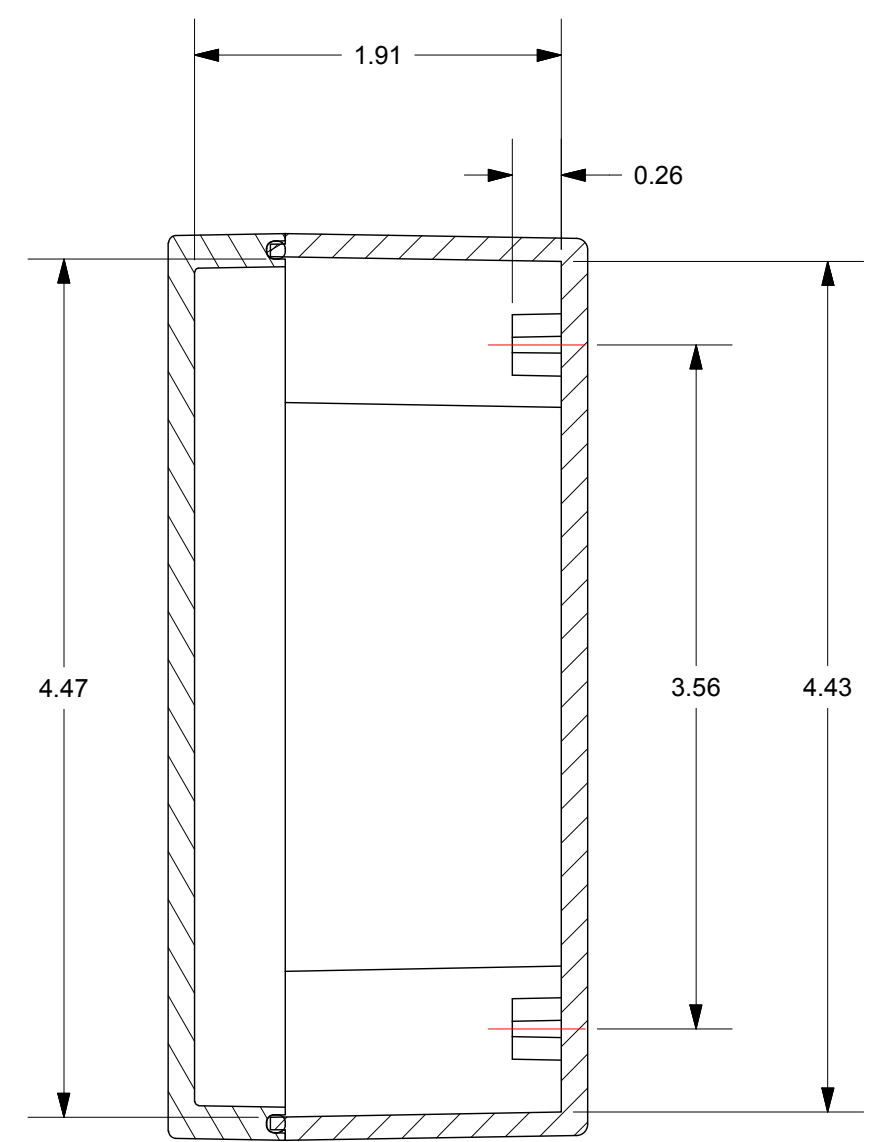
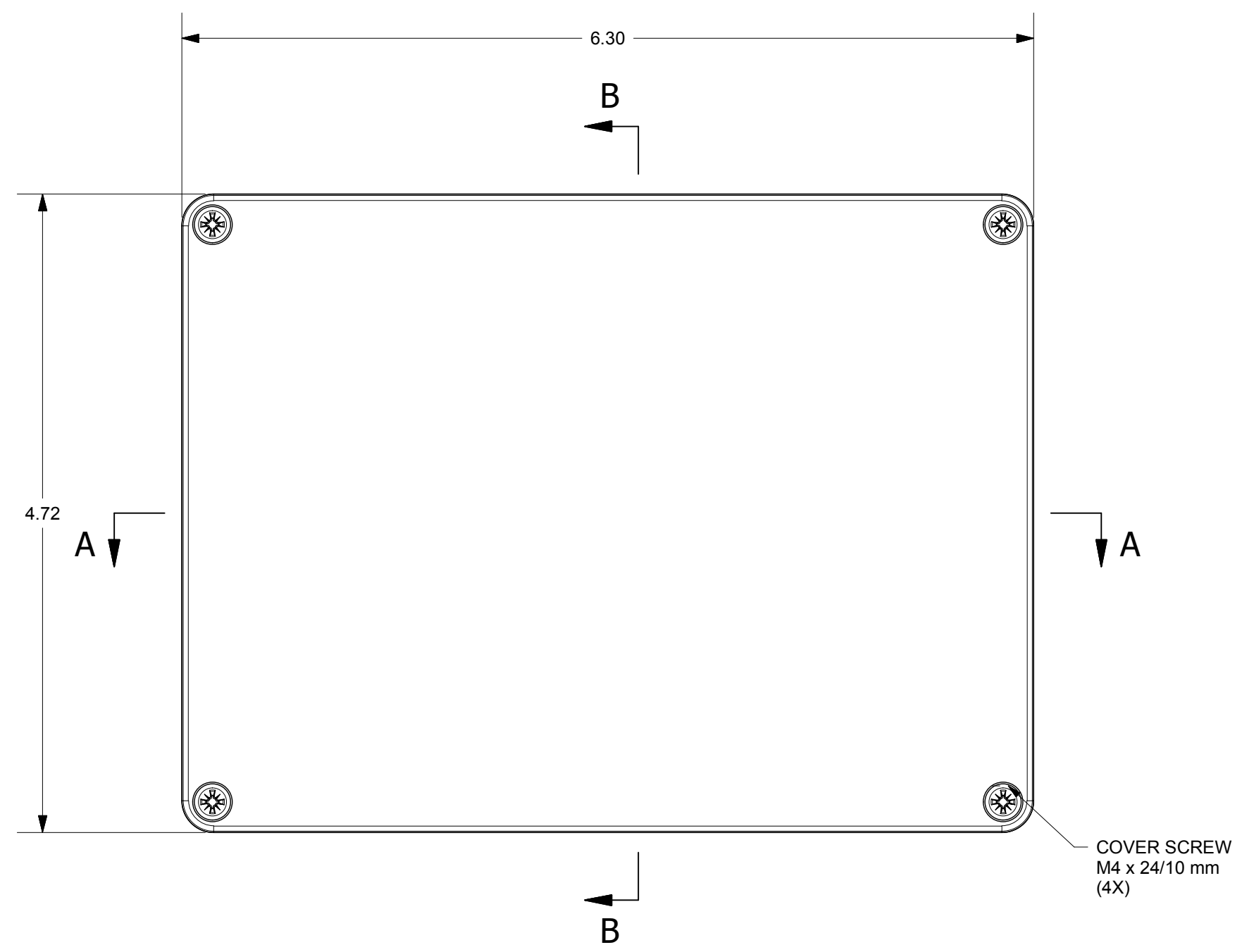
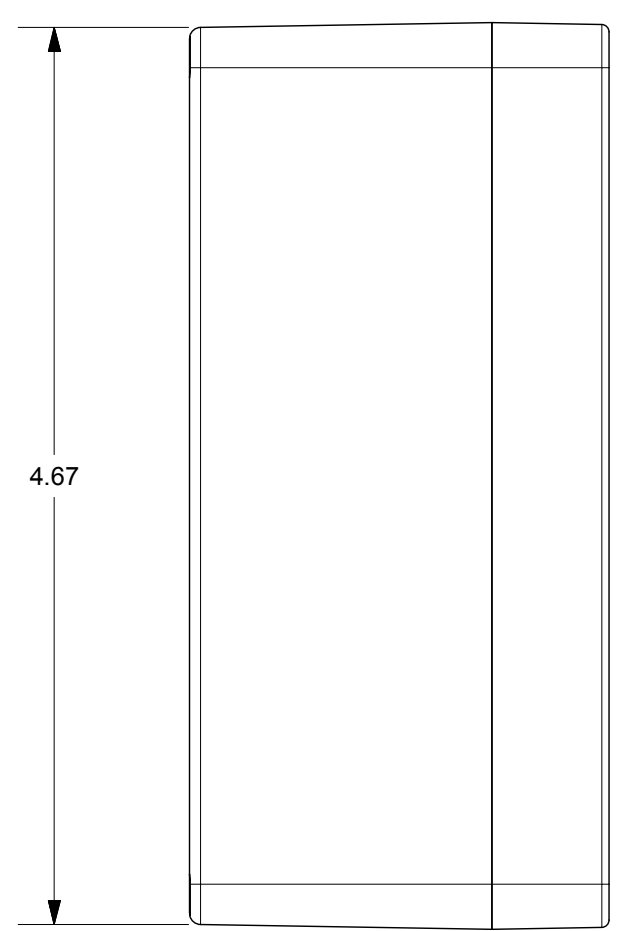
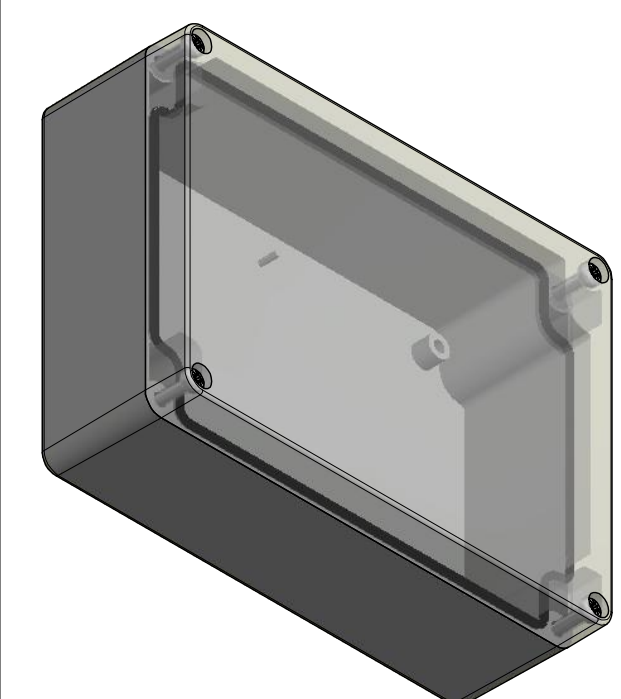
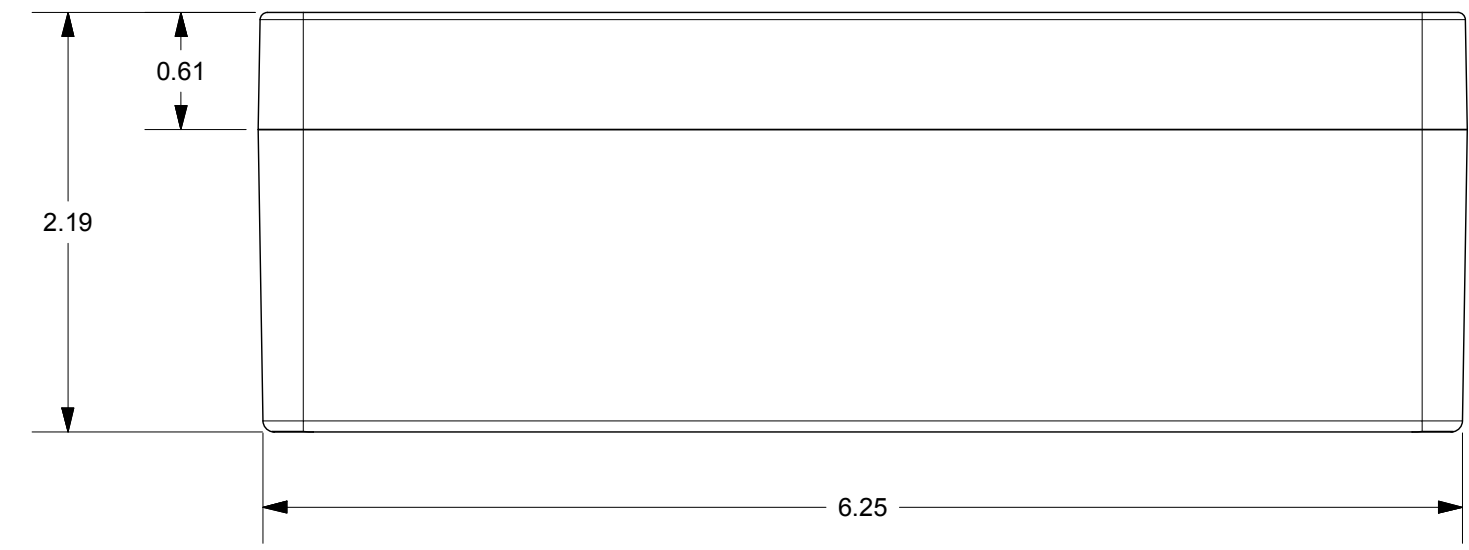


SECTION A-A




SECTION B-B



THIS DRAWING IS THE SOLE AND EXCLUSIVE PROPERTY OF ROBROY ENCLOSURES. NO PART OF THIS DRAWING MAY BE REPRODUCED, DISTRIBUTED, OR PUBLICALLY DISPLAYED IN ANY FORM OR BY ANY MEANS WITHOUT THE EXPRESS WRITTEN PERMISSION OF ROBROY ENCLOSURES. ALL RIGHTS RESERVED. UNDER THE COPYRIGHT LAWS. COPYRIGHT © 2017 ROBROY ENCLOSURES.

END USER NOTES:
1. TORQUE COVER SCREWS TO 9-17 IN.-LBS. TO MAINTAIN RATINGS.

SPECIAL REQUIREMENTS

NEMA 250: TYPE 1, 3R, 4, 4X, 12 IEC 60529: IP66 COLOR: LIGHT GREY COLOR STANDARD: RAL 7035		STANDARD P/N: STCC161255W	ALL DIMENSIONS ARE IN INCHES UNLESS OTHERWISE SPECIFIED	TOLERANCES UNLESS SPECIFIED	.XX ± 0.03	.XXX ± 0.010
MATERIAL: POLYCARBONATE		CUSTOMER DWG:	 Robroy Enclosures			
REVISION HISTORY						
REV	DESCRIPTION	DATE	ENG			
-	-	-	-			
-	-	-	-			
-	-	-	-			
-	-	-	-			
-	-	-	-			
DRAWN BY: E91		DATE: 02/08/18	CUSTOMER:	DWG: STCC161255W		
SCALE: DO NOT SCALE		DESCRIPTION: STANDARD ENCLOSURE	PART NUMBER: FESTCC161255W			